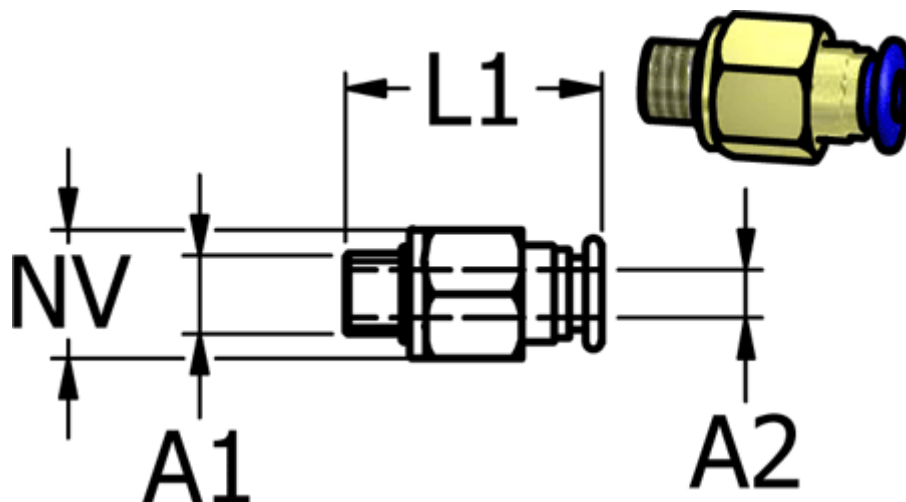


Article number: 586PC64

Description: Mini Push-in PC64, straight, M6 hose Ø4

## Measures



Ext. hose diameter A2	= 4 mm
L1	= 19
NV	= 10
Thread A1	= M6